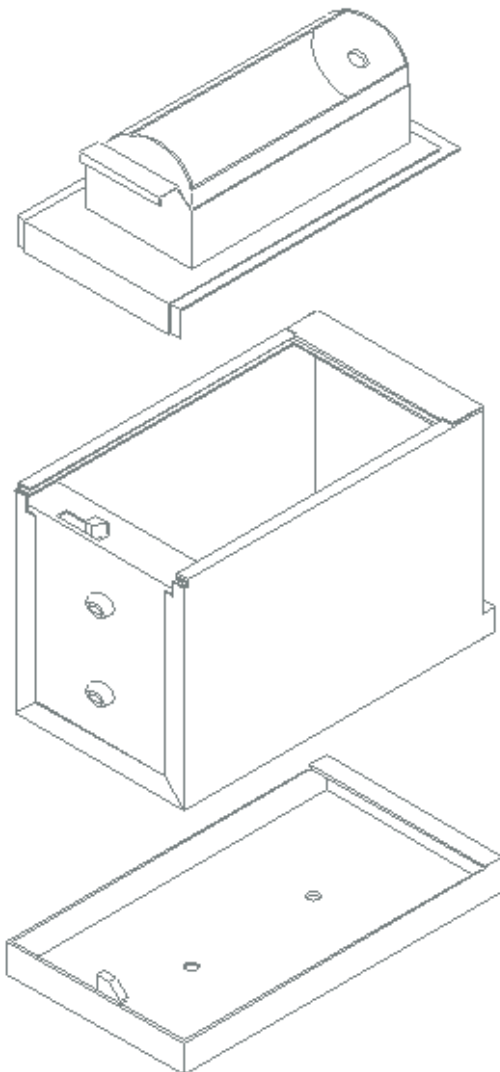


Fitting Instructions - Travel Safes

Vehicle Mounting



1. Put assembled unit into required position. Check that it will not foul door, boot lids etc, and that the under floor is clear below to take the Anchor Plate.
2. Remove the Safe from its base and mark vehicle floor through fixing holes in Base.
3. Drill 1 x 12.0mm Dia hole in each marked position.
4. Drop 10mm screws (provided) through each hole, and with Anchor Plate held in position from below, tighten screws.
5. Fit 2 x M10 lock nuts (provided) to bottom of protruding screws, tighten to captive nuts in Anchor Plate.
6. Grind or saw excess thread from bottom of protruding screws and coat with protective paint.

Concrete or Wooden Floors

1. All Checkmate safes are suitable for mounting on to solid floors using M10 x 40 Rawlbolts.
2. See steps 1, 2 & 3 above.
3. Care should be taken when tightening Rawlbolts to ensure the base plate does not distort.